

MR-16 COB

Features:

LED equivalent replacement to halogen 30w.
Used for landscape accent, architectural lighting, display case accent, artwork lighting, mood lighting and amusement park accent.

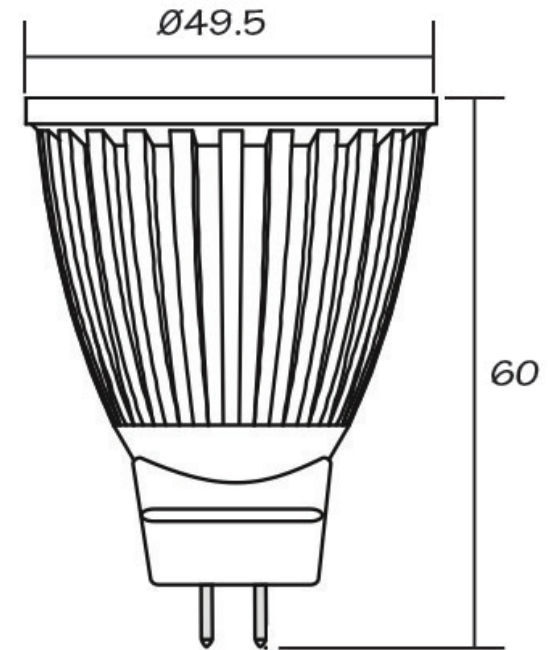
Aluminium alloy & Special lens

Perfect oxidation finishing

Dimmable



24/7 Commercial Warranty

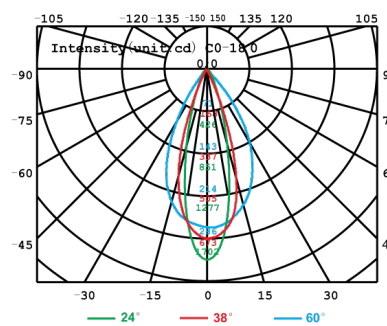
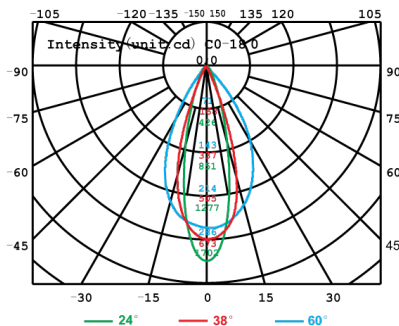
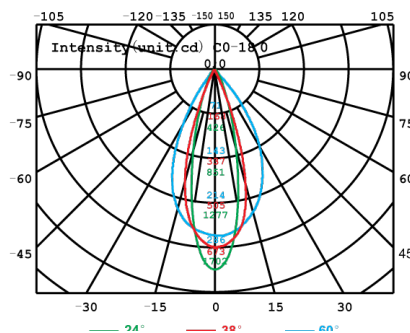


UNITS: mm

Electrical Optical Characteristics

Model	Beam Angles	LEDs	Watts	Volts	Luminous Flux	Color
EFL-MR16-COB	25°· 40°· 60°	Super bright COB LED	6W	AC/DC 12V	370~425	CW 5000K~7000k, NW 4000K~5000k, WW 2600K~3700k

OPTICAL PARAMETERS



BEAM ANGLE 25° WW			
Distance (feet)	Avg./Max. E.(Lux)	Diameter (inches)	
3	1247/1702	11	
6	312/426	22	
10	139/851	33	
13	78/106	44	
16	54/76	55	

BEAM ANGLE 40° WW			
Distance (feet)	Avg./Max. E.(Lux)	Diameter (inches)	
3	480/758	22	
6	120/168	44	
10	53/75	66	
13	30/42	88	
16	19/27	110	

BEAM ANGLE 60° WW			
Distance (feet)	Avg./Max. E.(Lux)	Diameter (inches)	
3	163/286	42	
6	41/71	85	
10	18/32	128	
13	10/18	170	
16	7/12	213	

BEAM ANGLE 25° NW			
Distance (feet)	Avg./Max. E.(Lux)	Diameter (inches)	
3	1354/1847	11	
6	339/462	22	
10	150/205	33	
13	85/116	44	
16	54/74	55	

BEAM ANGLE 40° NW			
Distance (feet)	Avg./Max. E.(Lux)	Diameter (inches)	
3	529/741	22	
6	132/185	44	
10	59/82	66	
13	33/46	88	
16	21/30	110	

BEAM ANGLE 60° NW			
Distance (feet)	Avg./Max. E.(Lux)	Diameter (inches)	
3	179/314	42	
6	45/79	85	
10	20/35	128	
13	11/20	170	
16	7/13	213	

BEAM ANGLE 25° CW			
Distance (feet)	Avg./Max. E.(Lux)	Diameter (inches)	
3	1384/1889	11	
6	338/472	22	
10	150/210	33	
13	85/118	44	
16	54/76	55	

BEAM ANGLE 40° CW			
Distance (feet)	Avg./Max. E.(Lux)	Diameter (inches)	
3	541/758	22	
6	135/189	44	
10	60/84	66	
13	34/47	88	
16	22/30	110	

BEAM ANGLE 60° CW			
Distance (feet)	Avg./Max. E.(Lux)	Diameter (inches)	
3	183/321	42	
6	46/80	85	
10	20/36	128	
13	12/20	170	
16	7/13	213	

Electrical Optical Characteristics

Model	Beam Angles	LEDs	Watts	Volts	Luminous Flux	Color
EFL-MR16-COB	25° · 40° · 60°	Super bright COB LED	6W	AC/DC 12V	370~425	CW 5000K~7000k, NW 4000K~5000k, WW 2600K~3700k