

TORPEDO

Features:

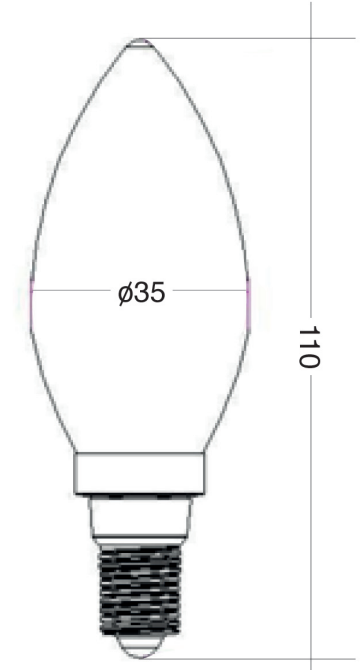
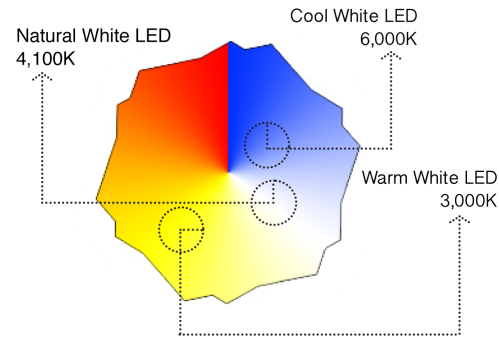
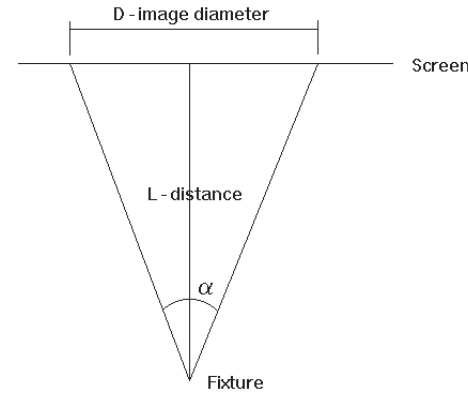
LED equivalent replacement for halogen bulbs.
Used for all retail, commercial, and industrial applications.

Dimmable

Available in clear and frosted



24/7 Commercial Use



Electrical Optical Characteristics

Model	Beam Angles	Bases	Watts	Volts	SMD	Color
EFL-LCBL-3W-A	360	E12·E14·E17·E26·E27·B15·B22·GU10	3.2	200~240v AC	Samsung	ww: 2,700k · cw: 6,000k